

12AE969D190 LC-215E (1998)  
Engine And Axle Assembly

Page 2 of 11

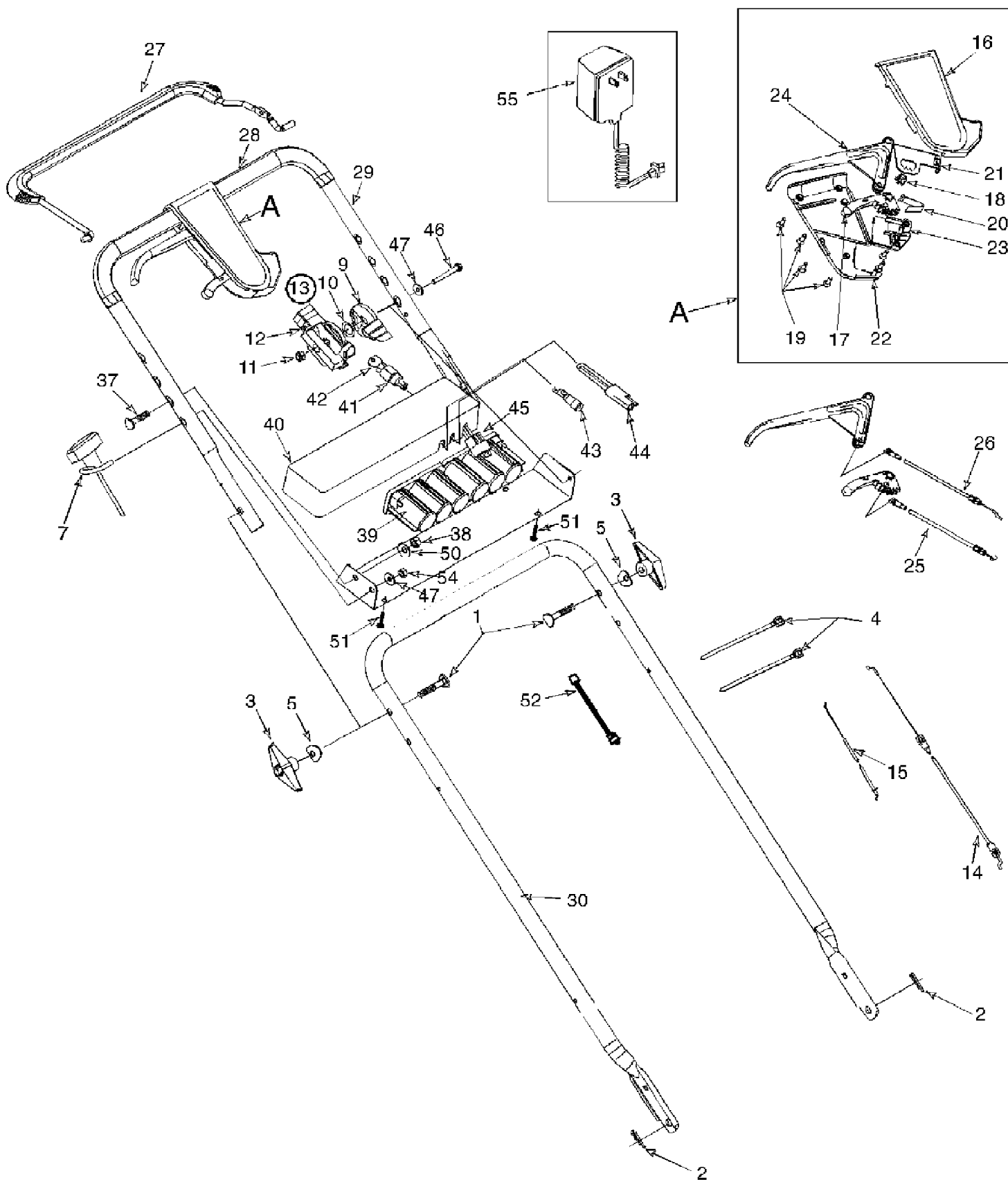
Ref #	Part Number	Qty	S/P/F	Description
1	710-0134	1	/P	Scr. Carr. 1/4-20 x .62
2	710-0654A	1	/P	Scr. TT:3/8-18:1.00
3	710-0703	1	/P	Scr. 1/4-20 x .750
4	712-0397	1	S	Wing Nut 1/4-20
5	726-0233	1	/P	Nut, Push .25 I.D. x .50 O.D.
6	736-0204	1	/P	Wash. Fl. .334 I.D. x .62 x .03
7	782-0046-0662	1		Deck - 21"
8	710-0653	1	/P	Scr. TT. 1/4-20 x .375
9	710-0969	1	/P	Scr. Truss Machine TT
10	731-1828	1		Baffle
11	638-0012	1	S	Rear Axle Ass'y
12	782-0566	1	S	Pivot Arm Ass'y
13	682-7526	1	S	Trans. Axle Ass'y
14	682-7528	1	S	Chain Cover Ass'y
16	710-0751	1	/P	Cap Screw HH 1/4-20 x .620
17	710-0896	1	/P	Scr. AB 1/4-14 x .825
18	710-1315	1	/P	Scr. 3/8 116 x .25
19	711-0835	1	S	Clevis Pin .50 Dia. x 4.82
20	713-0453	1	S	Chain-Endls.
21	714-0474	1	S	Cotter Pin .125 O.D. x .75
22	720-0223	1		Grip
23	732-0803A	1	/P	Spring Lever
24	732-0832	1		Torsion Spring
25	736-0270	1	/P	Bell Wash. .285 x .75 x .082
26	736-0369	1	S	Fl. Wash. .508 I.D.
27	738-0529	1	S	Nut Shld. .825 Dia. x .165
28	741-0324	1	S	Hx . Flg. Brg. .506 I.D. x .590
29	741-0522	1	S	Hx . Flg. Brg. .506 I.D. x .715
30	741-0978	1		Hx . Slv. Brg. .504 I.D. x .830
31	748-0318	1	S	Wheel Ratchet
32	750-0151	1	S	Spa. .550 I.D. x /750 O.D.
33	750-0515	1		Spa. .51 .D. x .70 O.D. x 38
34	750-0807	1		Spa. .385 x .624 x .700
35	750-1056	1	S	Shld. Spa. .385 I.D. X .715
36	782-0568	1	S	Brkt. - Ht. Adj. Spring
37	682-3052-0662	1		Handle Brkt. Assembly R.H.
38	682-3053-0662	1	S	Handle Brkt. Assembly L.H.
39	710-1348	1	/P	Scr. AB 1/4-14 x .500
40	731-1901	1	S	Trail Shield
41	732-0842	1		Trail Shield Wire
43	682-9020A-0662	1	/P	Caster Ass'y R.H
43	682-9021A-0662	1	/P	Caster Ass'y L.H.
44	682-9024A-0662	1		Brkt. Ass'y, Wheel Caster RH
45	710-0260	1	S	Carr. Bolt 5/16-18 x .62
46	711-1146	1	S	Caster Axle .374 Dia. x 2.50"
47	736-0232	1	S	Wave Wash.
48	731-1887	1		Hub Cap Whole Gray
49	734-1857	1	/P	Wheel 7 x 2, Caster Black
50	712-0397	1	S	Wing Nut 1/4-20 Thd.
51	734-1837	1	S	Wheel 9 x 2 Link Gray
52	712-3004A	1	/P	Lock Nut 5/16-18
53	714-0104	1	S	Pin, Cotter .072 x 1.12
54	736-0264	1	S	Fl. Wash. .330 x .830 x .06

12AE969D190 LC-215E (1998)  
Engine And Axle Assembly

Page 3 of 11

Ref #	Part Number	Qty	S/P/F	Description
55	10622B	1	S	Spring, Ratchet, Plastic
56	748-0381	1		Pawl - R.H.
56	748-0188B	1	S	Pawl - L.H.
58	16855	1		Ratchet Pawl Plate
59	738-0137A	1	S	Shld. Scr. .340 x .285
60	712-0414	1	S	Top Lock Weld Nut 1/4-20
61	731-0981A	1	S	Hubcap - Gray
62	710-1237	1		Screw .620 Hx . Slit. Wsh.
63	751B213146	1	/P	Casing Clamp, Throttle
64	710-1256	1	/P	Scr. Hi-Lo #10 x 1.25
65	751B281451	1	/P	Shroud - Gray
66	754-0460	1	S	Belt
67	742-0741	1	S	21" Mulching Blade
68	753-0609	1		Blade Adapter Kit
69	736-0524A	1	S	Blade Bell Support
70	710-1257	1	/P	Hex Bolt 3/8-24 x 2.5" Lg.
71		1		Engine Shown For Reference
72	735-0639	1	/P	Spark Plug Insulator
73	731-1832	1		Side Discharge Chute
74	731-1833	1	S	Mulch Cover
75	726-0214	1	/P	Push Cap
76	732-0306	1	S	Compression Spring
77	736-0366	1	/P	Fl. Wash. 5/8 O.D. x 1" O.D.
78	736-0931	1	/P	Fl. Wash. .203 I.D. x .403
79	737-3000	1	S	Fitting - Lube
80	741-0685	1		Flange Bearing
81	747-0924	1		Lock Pin: Front Wheel
82	725-0157	1	/P	Cable Tie
83	710-0604	1	S	Hex Scr. 5/16-18
84	682-9026-0662	1		Bracket Assembly, Wheel Caster LH

12AE969D190 LC-215E (1998)  
Handle Assembly



12AE969D190 LC-215E (1998)  
Handle Assembly

Page 5 of 11

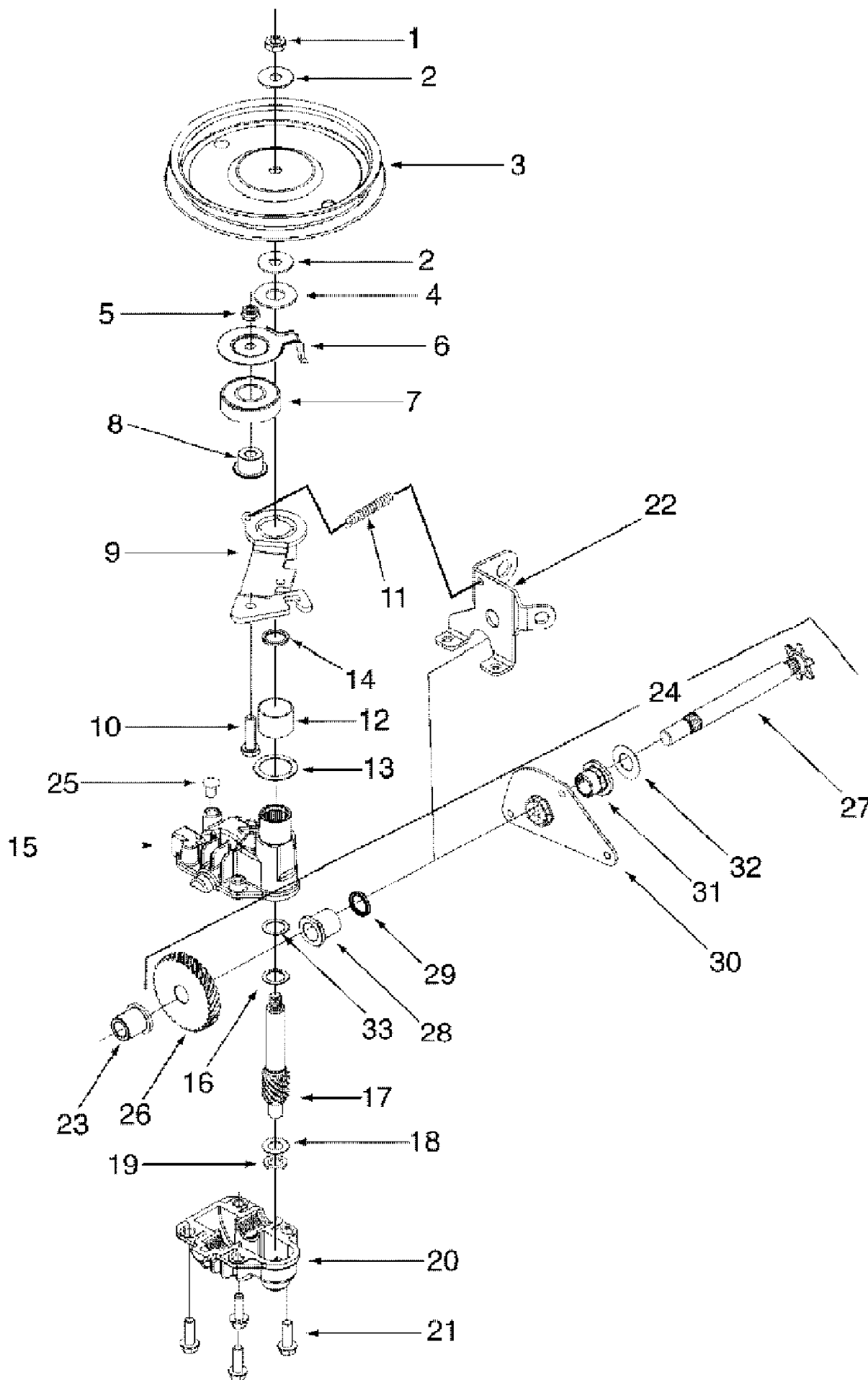
Ref #	Part Number	Qty	S/P/F	Description
1	710-1174	1	/P	Bolt Cur. Carr. 5/16-18 x 2.0
2	714-0104	1	S	Cotter Pin .072 x 1.12 Lg.
3	720-0241	1	S	Knob Assembly
4	726-0240	1	S	Strap 4.3 Lg.
5	736-0451	1	S	Wash. Sad. .320 ID x .830 OD
7	710-1205	1	/P	Eyebolt
9	746-0876	1	S	Throttle Lever
10	736-0501	1	S	Spring Wash. Curved
11	712-0324	1	/P	Nut 1/4-20 Top locknut Insert
12	646-0875	1	S	Housing, Throttle
13	811-00303	1	S	Throttle Control (Includes reference 9,10,11 & 12)
14	746-0557	1	S	Control Cable 47" Lg.
15	746-0841	1	S	Cable Throttle 60" Lg.
16	731-0904	1	S	Upper Control Housing
17	731-0924	1		6 Speed Shift Lever
18	713-0397	1	S	Gear Insert
19	710-0841	1	/P	C Sunk Tap Screw #10 x .75 L
20	732-0627	1		Shift Lever Spring
21	16864	1		6 Spd. Rack Cable Brkt.
22	731-0905	1	S	Lower Control Housing
23	731-0906	1	S	Cable Mounting Cap
24	731-0620	1	S	Control Lever
25	746-0939	1	S	6 Spd. Cable
26	746-0710A	1	S	S.P. Cable
27	747-0824	1	S	Control Handle
28	720-0294	2 Req'd.	/P	Foam Grip
29	749-0439B	1	S	Upper Handle
30	749-0907A	1	S	Lower Handle Code: N Notates a new part (not previously existing)
37	710-1250	1	/P	Cur. Carr. Bolt 5/16-18 x 1" Lg.
38	712-0267	1	S	Hex Nut 5/16-18 Thd.
39	725-1276	1	S	Battery Pack - 12 Volt
40	731-0891A	1	/P	Battery Tray
41	725-0873	1	S	Ignition Switch
42	725-0201	1	S	Ignition Key
43	425-1428	1		Fuse Holder
	725-0298	1	S	Fuse 7-1/2 Amp (Not shown)
44	725-1206	1	S	Plug
45	725-1442	1	S	Wire Harness
46	710-0501	1	/P	Hex Bolt 1/4-20 x 2" Lg.
47	736-0270	1	/P	Bell Wash 1/4" I.D.
?49	782-9012	1	S	Lower Battery Tray
50	736-0242	1	/P	Bell Wash. 5/16" I.D.
51	710-0969	1	/P	Truss Mch. Tap Scr. 1" Lg.
52	725-1538	1		Harness Ext.
54	712-0287	1	S	Hex Nut 1/4-20
55	725-0727	1	S	Battery Charger

No  
Diagram  
Available  
  
Parts List  
Only

12AE969D190 LC-215E (1998)  
Labels

Page 7 of 11

Ref #	Part Number	Qty	S/P/F	Description
	777-1595C	1		Danger - right rear N/I
	777-0870	1		Danger - top of deck N/I
	777-1584	1	S	Danger - discharge chute N/I
	777-5270	1		Warning - deck above opening N/I
	777-0148	1	S	Throttle N/I
	777-4862	1		White LC 210 Logo (959) N/I
	777-4724	1		White LC 215 Logo (969) N/I
	777-4725	1		White Logo (E969) N/I
	777-8627	1		Drive Lever on Handle N/I
	777-4852	1		Wheel Cover Label N/I
	777-5645	1		Height Adjustment Label N/I
	777-3541	1		Trans. Drive Label N/I
	777-5242	1		Caster Wheel Lock (969, E969) N/I
	777-5902	1		Electric Start Instructions (E969) N/I
	777-4857	1		White - On Battery Pack (E969) N/I

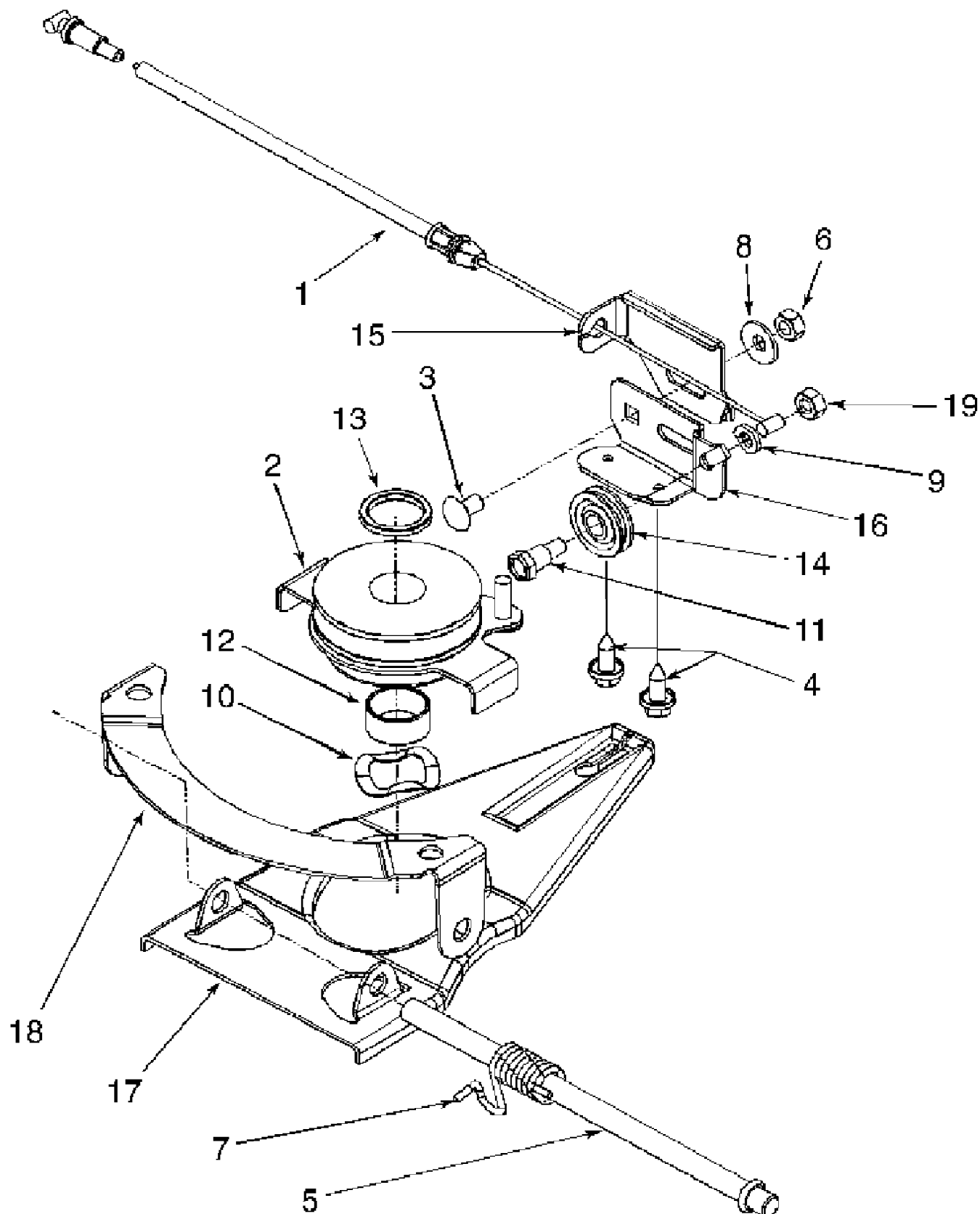




12AE969D190 LC-215E (1998)  
Pulley And Shaft Assembly

Page 9 of 11

Ref #	Part Number	Qty	S/P/F	Description
1	712-3025	1		Hx . Jam Nut 5/16-24
2	736-0425	1	S	Bell Wash. .325 x .930 x .045
3	756-0656	1	/P	Pulley
4	736-3084	1	/P	Fl. Wash. .510 x 1.120 x .060
5	712-0896	1		Hx . Jam Nut 1/4-28
6	782-7598	1		Belt Keeper
7	741-0600	1	S	Bearing
8	750-1050	1		Flange Spacer
9	682-0027A	1	S	Idler Bracket Assembly Code: N Notates a new part (not previously existing)
10	710-0299	1		Hx . Cap Scr. 1/4-28 x 1.00 Gr. 5
11	732-0849A	1	S	Extension Spring Code: N Notates a new part (not previously existing)
12	741-0682A	1	/P	Bearing Sleeve Code: N Notates a new part (not previously existing)
13	736-0570	1	S	Fl. Wash. .885 x 1.145 x .030
14	721-0329	1	S	Oil Seal
15	618-0253	1		Upper Housing Assembly
16	736-0616	1	S	Thrust Wash. .504 x .700 x .030 Code: N Notates a new part (not previously existing)
17	717-1487	1	S	Pinion Shaft 10T. Code: N Notates a new part (not previously existing)
18	736-0314	1	S	Thr. Wash. 3/8 x .70 x .030
19	736-0569	1	S	Thr. Wash. .388 x .625 x .062
20	618-0252	1	S	Lower Housing Assembly
21	710-0642	1	/P	Hx . Scr. 1/2-20 x .75
22	782-7601A	1	S	Cable Bracket Code: N Notates a new part (not previously existing)
23	741-0674	1	S	Bearing
24	611-0066	1	S	Shaft Assembly
25	721-0325	1		Plug
26	717-1469	1		Gear 34T.
27	711-1168	1		Output Shaft 6T.
28	741-0672	1		Flange Bearing
29	721-0329	1	S	Oil Seal
30	782-7595	1		Pivot Bracket
31	741-0324	1	S	Flange Bearing
32	736-0369	1	S	Wash. Fl. .508 I.D. x 1.00 O.D. x .020
33	741-0690	1		Bearing Code: N Notates a new part (not previously existing)



12AE969D190 LC-215E (1998)  
Pulley Assembly

Page 11 of 11

Ref #	Part Number	Qty	S/P/F	Description
1	746-0939	1	S	6 Spd. Cable
2	656-0613	1	S	Pulley Ass'y Mult - Spd.
3	710-0167	1	/P	Scr. 1/4-20 x .50 Carr.
4	710-0896	1	/P	Scr. AB 1/4-14 x .625 Hex hd. Wsh.
5	711-1114	1		Pivot Shaft
6	712-0287	1	S	Nut 1/4-20
7	732-0807	1	S	Torsion Spring LH
8	736-0270	1	/P	Bell Wash. .265 X .75 X .062
9	736-0329	1	S	Lock Wash. 1/4 Reg Duty
10	736-0526	1	S	Wave Wash. 1.38 x .88 x .029
11	738-0924	1	S	Shld.Scr. .375 x 1/4 - 14AB
12	750-1070	1	S	Slev Spcr. .88 ID 1.00 OD x .48
13	750-1071	1	S	Slev Spcr .88 ID x 1.13 ID x .12
14	756-0625	1		Roller Cable
15	782-7574-0662	1		6 Spd. Cable Adj. Bracket
16	782-7575-0662	1		6 Spd. Cable Mt. Bracket
17	782-7596	1	S	6 Sp. Control Arm
18	782-7597	1	/P	6 Sp. Pivot Bracket
19	712-0138	1	S	Hex Nut 1/4-28